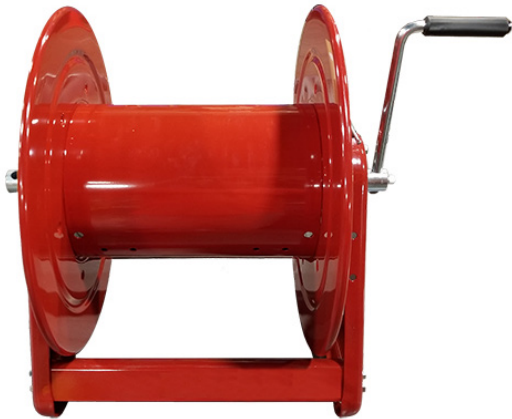


Small Dry Hose Storage Reel



Proudly made in the U.S.A.



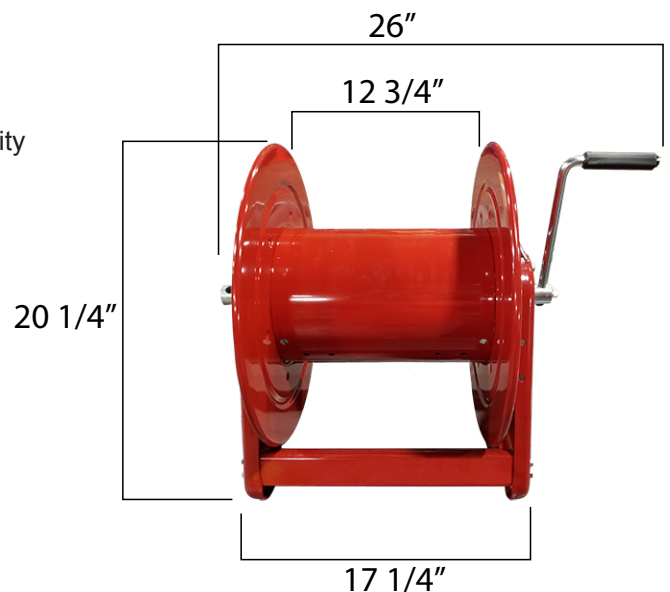
Made in America fire hose storage reels are designed for rugged, heavy duty applications requiring long lengths of hose and large storage capacity. All-bolted unitized construction with no welds to fatigue, heavy gauge steel frame, spool and drum ensure longest service life. Powder coated, thermally fused, red polyester finish steel drum. Use with non-collapsible hose such as lay-flat hose. Can be easily operated by one person. Used to allow immediate and compact storage of hose as well as expeditious deployment. Temperature operating range from -20 °F (-29 °C) to +250 °F (121 °C)

Features

- Proudly made in the U.S.A.
- Heavy duty construction
- Baked red enamel finish
- Hose not included sold separately
- Adjustable spool rotation drag that eliminates hose backlash
- Nickel-plated swivel with four O-rings
- Permanently lubricated dual main bearings
- All bolted construction - No welds
- Vibration-proof self-locking fasteners to ensure assembly integrity

Hose Capacity

- 1" Single Jacket Hose Capacity - 200 feet
- 1" Double Jacket Hose Capacity - 150 feet
- 1 1/2" Single Jacket Hose Capacity - 100 feet
- 1 1/2" Double Jacket Hose Capacity - 100 feet
- 2" Single Jacket Hose Capacity - 100 feet
- 2" Double Jacket Hose Capacity - 100 feet



Base dimensions: 17 1/4" wide x 12 3/4" deep