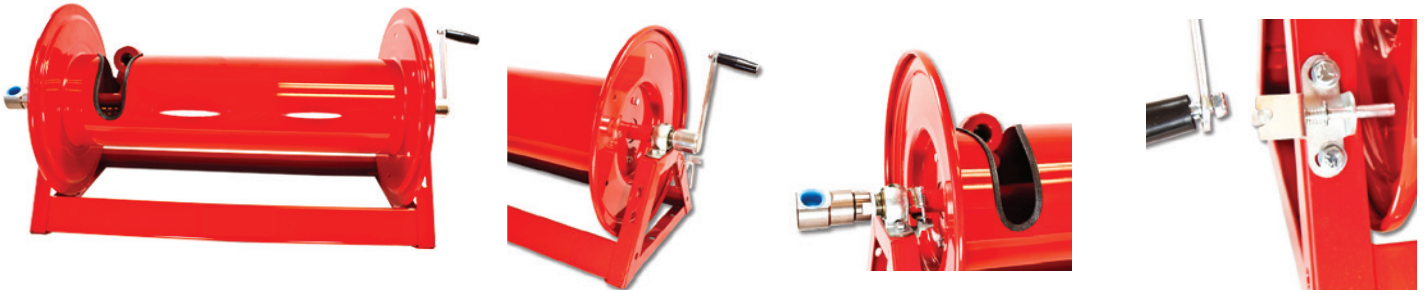


Live 1" Booster Fire Hose Storage Reel



Proudly made in the U.S.A.



This fire hose reel has an open drum design that provides a non-crimping, flat smooth hose wrap. The sturdy all-welded "A" frame base provides exceptional strength to handle the extra weight without sacrificing performance, even in demanding mobile applications.

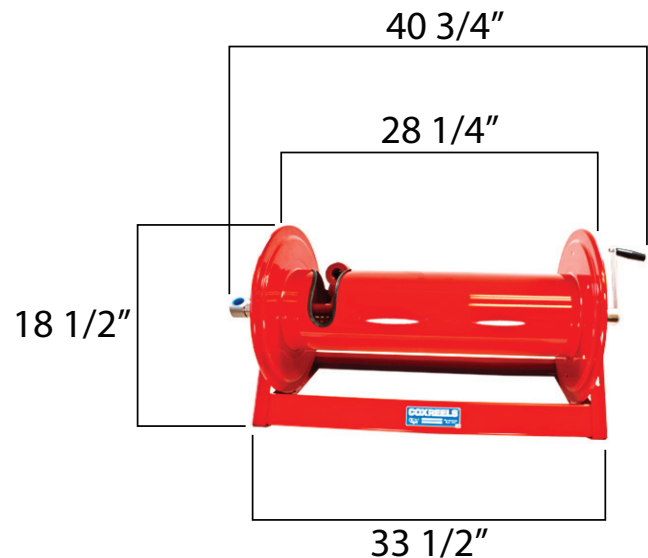
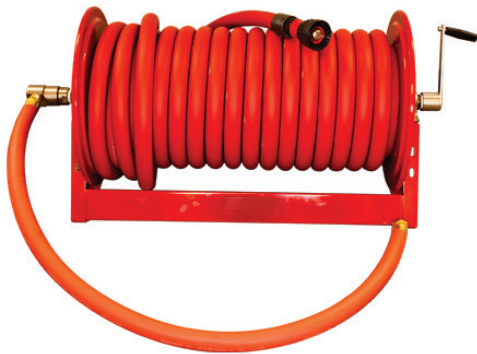
Nozzle, hose, supply hose and adapter sold separately.

Double male adapter required.

Connector hose - A flexible connector supply hose must be installed between the hose reel inlet hub and the water supply.

Features

- Proudly made in the U.S.A.
- Hose Size - Up to 1"
- Hose Capacity - 1" x 100' or 3/4" x 150'
- Pressure - Up to 3000 PSI
- Swivel female Inlet - 1" NPT
- Female Outlet - 1" NPT
- Color - Powder Coated Red



Base dimensions: 33 1/2" wide x 15 1/4" deep