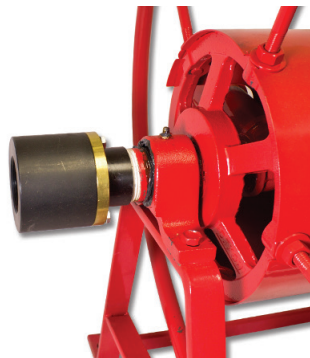


# Live 1 1/2" Booster Fire Hose Storage Reel (Global)



This fire hose reel has an open drum design that provides a non-crimping, flat smooth hose wrap. The sturdy all-welded "A" frame base provides exceptional strength to handle the extra weight without sacrificing performance, even in demanding mobile applications.

Nozzle, hose, supply hose and adapter sold separately.

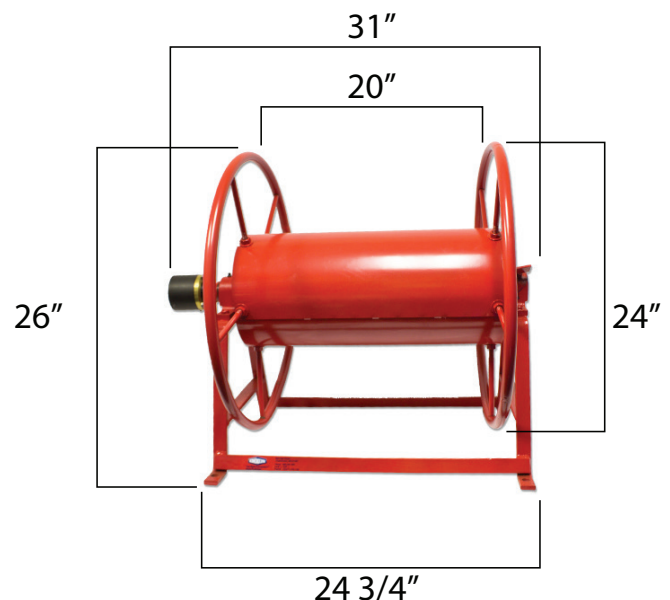
Optional adapters may be ordered separately.

Connector hose - A flexible connector supply hose must be installed between the hose reel inlet hub and the water supply.

Replacement Swivel - Wirt & Knox 1 1/2" Replacement Swivel

## Features

- Material - Steel
- Inlet - Female 1 1/2" NPT
- Outlet - Male 1 1/2" NPT
- Hose Capacity - 3/4" x 250"
- Hose Capacity - 1" x 150"
- Hose Capacity - 1 1/2" x 100"



Base dimensions: 26" wide x 19" deep