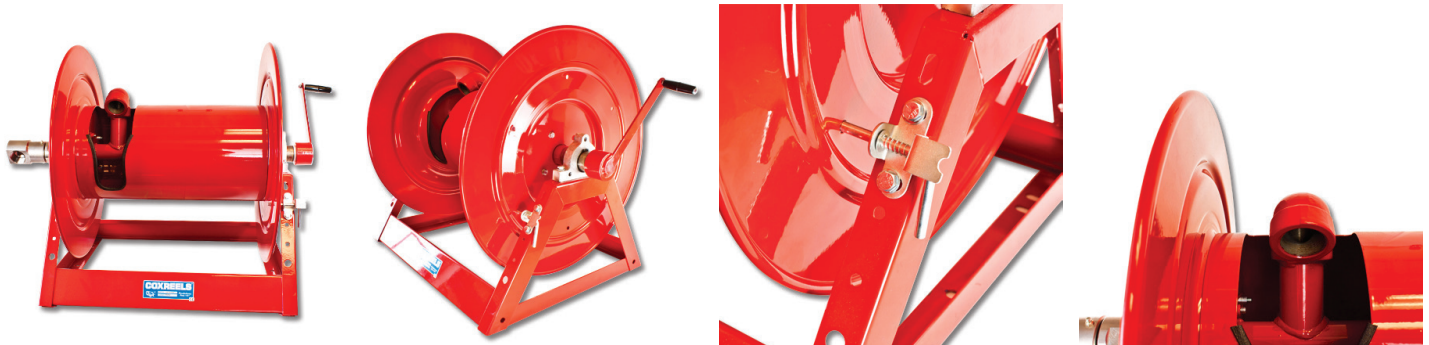


Live 1 1/2" Booster Fire Hose Storage Reel



Proudly made in the U.S.A.



The heavy duty fire hose reel is hand crank and are designed to handle long lengths of large diameter hose for increased volume delivery. This reel's exclusive low profile outlet riser and open drum design provide a non-crimping, flat smooth hose wrap. The sturdy all welded "A" frame base provides exceptional strength to handle the extra weight without sacrificing performance, even in demanding mobile applications. **Nozzle, hose, supply hose and adapter sold separately.**

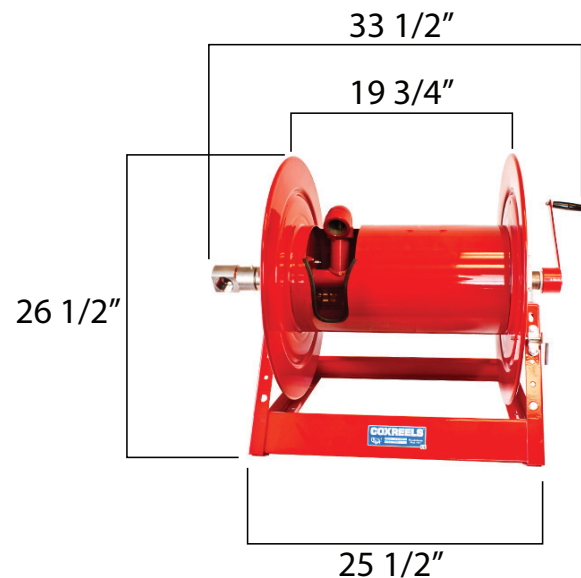
Recommended hose - Booster fire hose

Double male adapter required.

Connector hose - A flexible connector supply hose must be installed between the hose reel inlet hub and the water supply.

Features

- Proudly made in the U.S.A.
- Hose Size - Up to 1 1/2"
- Hose Capacity - 100'
- Pressure - Up to 600 PSI
- Swivel female Inlet - 1 1/2" NPT
- Female Outlet - 1 1/2" NPT
- Color - Red



Base dimensions: 25 1/2" wide x 22 1/2" deep