

Camlock

Female Camlock to Shank



		Aluminum	Brass	Plastic	Stainless
Size	Female Inner Dimensions	PSI	PSI	PSI	PSI
1/2"	1"	150	150	125	150
3/4"	1 5/16"	250	250	125	250
1"	1 1/2"	250	250	125	250
1 1/4"	1 7/8"	250	250	125	250
1 1/2"	2 3/16"	250	250	100	250
2"	2 9/16"	250	250	100	250
2 1/2"	3 1/16"	150	150		150
3"	3 11/16"	125	125	60	125
4"	4 3/4"	100	100	50	100
5"	5 13/16"	75	75		75
6"	6 7/8"	75	75		75
8"	9 31/32"	50	50		50

Available

- Aluminum, Brass, Plastic, Stainless
- Includes Safety Pins
- Seal: Buna
- Type: "C" Quick Disconnect
- Type "C" female camlock (Cam & Groove) coupler to hose shank.

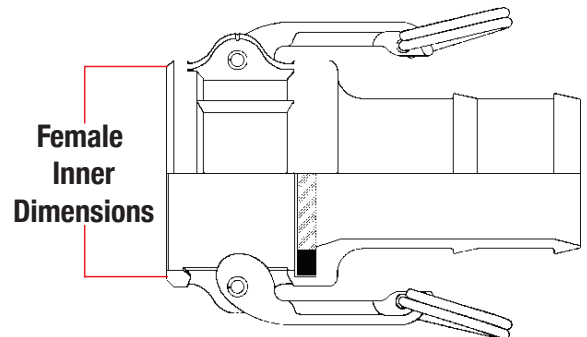
Connections

The female side of this adapter will only connect to male camlock.

How it works

To make a connection, simply slide the adapter into the coupler and with normal hand pressure, press the cam levers down. Uncoupling is as quick and simple as coupling. Just lift the cam arms and remove the adapter.

Cam and groove couplings, also called cam lock fittings or quick connect couplings, are used in most industries as a hose connection to avoid leakages. This kind of coupling is popular because it is considered to be a simple and economical way of re-connecting and disconnecting.



⚠ WARNING

Under no circumstances should cam and groove couplings be used for compressed air or steam!